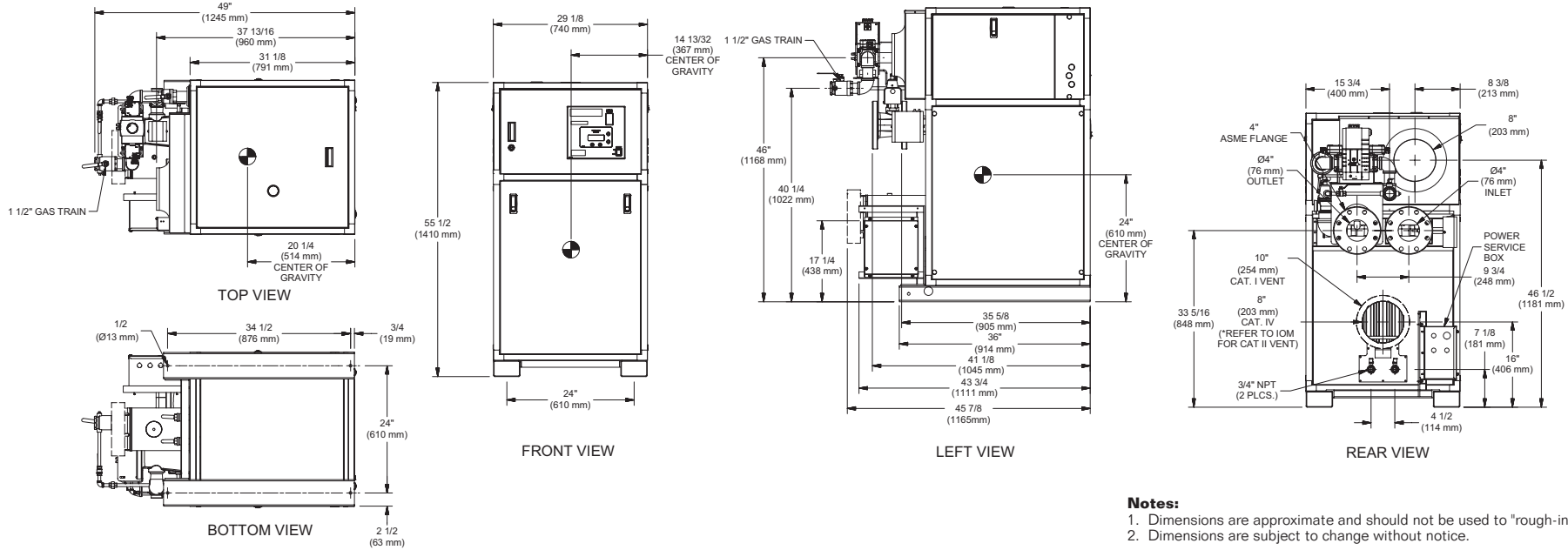


# INDOOR UNIT



- Notes:**  
 1. Dimensions are approximate and should not be used to "rough-in" equipment.  
 2. Dimensions are subject to change without notice.

## BOILER CERTIFIED RATINGS & CAPACITIES

<b>Fuel Type</b>	Natural/Propane Gas	<b>Boiler FLA</b>	10.5* @ 230V
<b>Input BTU/hr.</b>	2,500,000 / 733 kW	<b>Min. Gas Pressure Required</b>	3.5" WC**
<b>Output BTU/hr.</b>	2,147,500 / 629 kW	<b>Max. Gas Pressure Allowed</b>	14" WC
<b>Electrical Requirements</b>	(L1, L2, NEU, GND) 208-240 VAC / 1PH / 60Hz	<b>Operating Weight</b>	1,249 lbs. / 567 kgs.

## BOILER TEMPERATURE RISE / PRESSURE DROP

20°F / 11.1°C				25°F / 13.9°C				30°F / 16.7°C				35°F / 19.4°C			
Flow Rate		Pressure Drop		Flow Rate		Pressure Drop		Flow Rate		Pressure Drop		Flow Rate		Pressure Drop	
GPM	L/s	Ft	kPa	GPM	L/s	Ft	kPa	GPM	L/s	Ft	kPa	GPM	L/s	Ft	kPa
214.8	13.5	10.05	29.6	171.8	10.8	6.45	19.0	143.2	9.0	3.71	10.9	122.7	7.7	2.79	8.2

## BOILER / WATER HEATER TRIM & CONTROLS

<b>Main Gas Valve Body</b>	Dungs MBC 2500	<b>High Limit (Manual Reset)</b>	Jumo
<b>Firing Valve</b>	Honeywell B200T1066 1-1/2"	<b>High Limit (Auto Reset)</b>	Jumo
<b>Main Ball Valve</b>	1-1/2"	<b>Blocked Flue Switch</b>	HUBA
<b>Manual Pilot Valve</b>	1/4" Honeywell B528	<b>Air Switch</b>	HUBA
<b>Pilot Regulator</b>	White-Rodgers 25M	<b>Blower Motor</b>	American Fan 3 HP - FLA 8
<b>Ignition Control</b>	Honeywell RM7895C	<b>Relief Valve - MB</b>	1" x 1-1/4" set @ 50 psi
<b>Operating Control</b>	HeatNet®	<b>Relief Valve - MW</b>	3/4" x 3/4" set @ 125 psi
		<b>Flow Switch</b>	ITT FS8W

## WATER HEATER HOURLY RECOVERY CAPACITY (GPH & LPH)

40°F	22°C	60°F	33°C	80°F	44°C	100°F	56°C	120°F	67°C	140°F	78°C
6355	24022	4237	16015	3178	12011	2542	9609	2118	8007	1816	6863

## A.S.M.E.

<b>ASME Sect IV Htg Surface</b>	267.5 Sq. Ft. / 24.85 Sq. M.	<b>Design Data</b>	Max. 160 psig & 250°F
<b>Water Volume</b>	12.1 gal / 45.80 Liters		

\* Add circulator amps.  
 \*\* For incoming gas pressures lower than 3.5" W.C. natural or propane, consult factory.

**REP FIRM** \_\_\_\_\_

**SUBMITTED BY** \_\_\_\_\_

**JOB NAME** \_\_\_\_\_

**ARCHITECT** \_\_\_\_\_

**ENGINEER** \_\_\_\_\_

**CONTRACTOR** \_\_\_\_\_

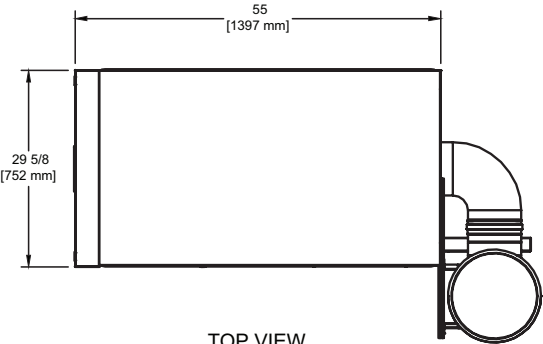
**DATE** \_\_\_\_\_

### FUTERA XLF 2500

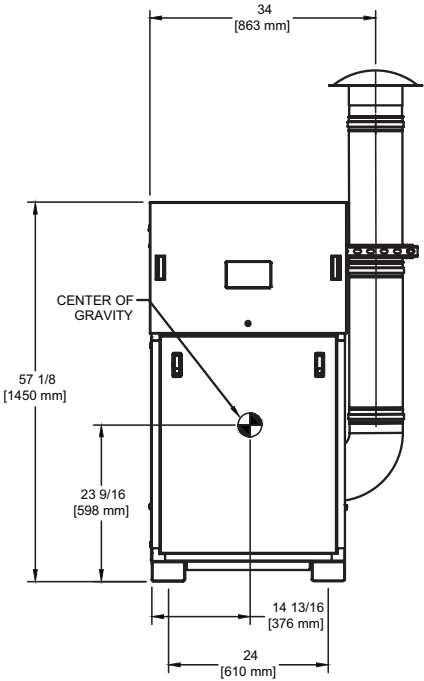
**Category I, II or IV Appliance**  
 (see Installation and Operation Manual for venting information)

**RBI**® A Division of Mestek, Inc.  
 Westfield, MA 01085  
 (413) 568-9571  
RELIABLE. BOLD. INNOVATIVE.

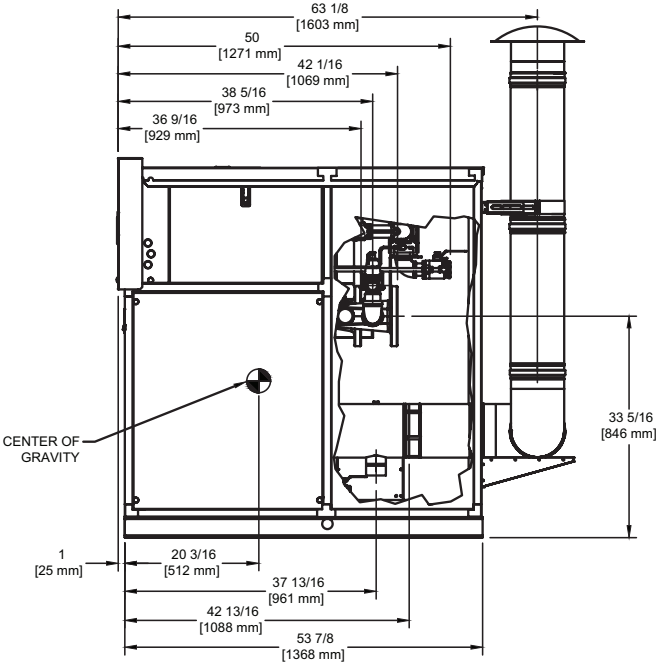
# OUTDOOR UNIT



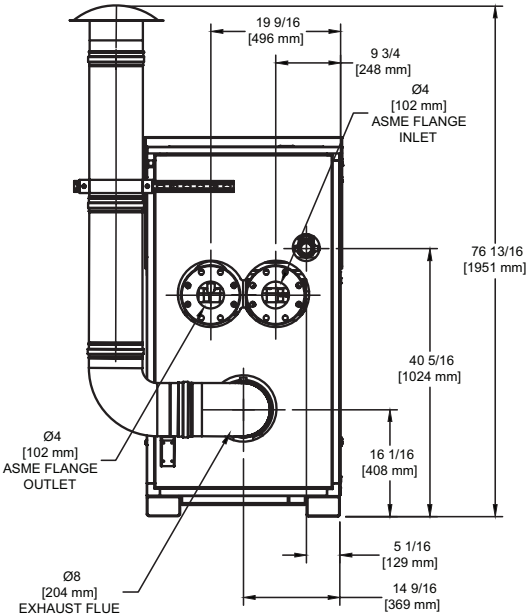
TOP VIEW



FRONT VIEW



SIDE VIEW

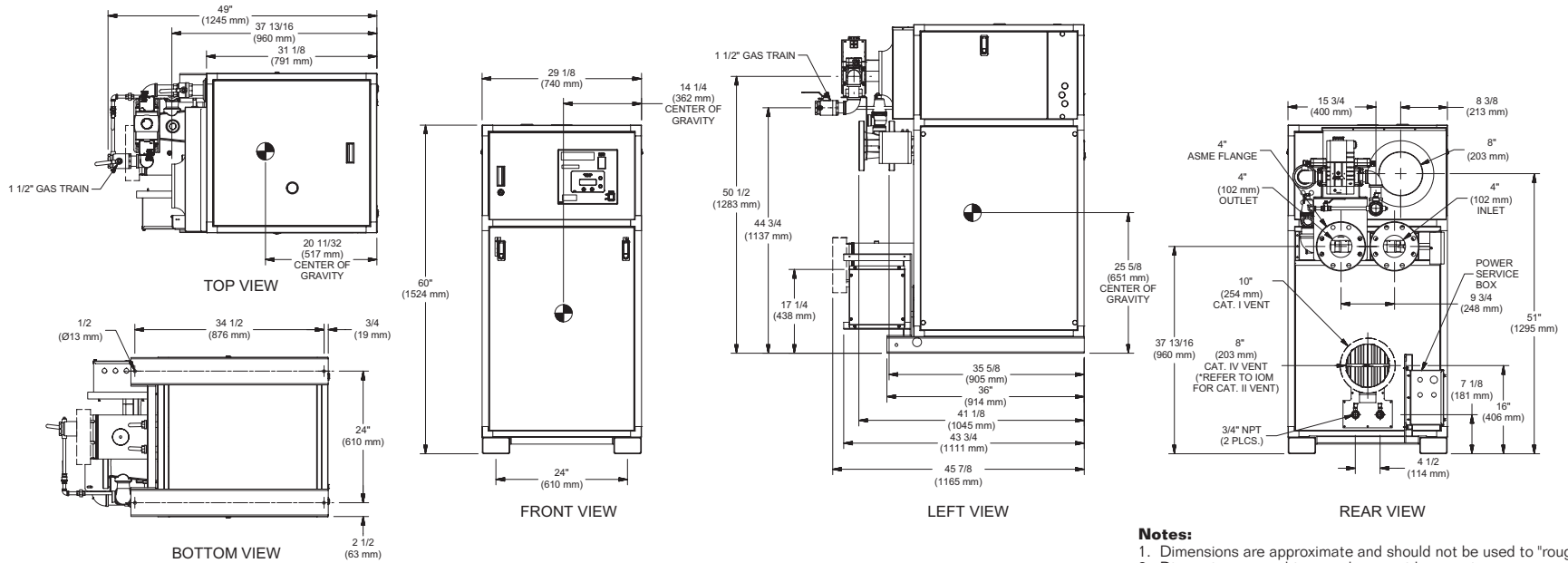


BACK VIEW

# FUTERA XLF 2500

- Notes:**
1. Dimensions are approximate and should not be used to "rough-in" equipment.
  2. Dimensions are subject to change without notice.

# INDOOR UNIT



## BOILER CERTIFIED RATINGS & CAPACITIES

<b>Fuel Type</b>	Natural/Propane Gas	<b>Boiler FLA</b>	10.5* @ 230V
<b>Input BTU/hr.</b>	3,000,000 / 879 kW	<b>Min. Gas Pressure Required</b>	3.5" WC**
<b>Output BTU/hr.</b>	2,622,000 / 768 kW	<b>Max. Gas Pressure Allowed</b>	14" WC
<b>Electrical Requirements</b>	(L1, L2, NEU, GND) 208-240 VAC/1 ph/60 Hz	<b>Operating Weight</b>	1,355 lbs. / 615 kgs.

## BOILER TEMPERATURE RISE / PRESSURE DROP

20°F / 11.1°C				25°F / 13.9°C				30°F / 16.7°C				35°F / 19.4°C			
Flow Rate		Pressure Drop		Flow Rate		Pressure Drop		Flow Rate		Pressure Drop		Flow Rate		Pressure Drop	
GPM	L/s	Ft	kPa	GPM	L/s	Ft	kPa	GPM	L/s	Ft	kPa	GPM	L/s	Ft	kPa
262.2	16.5	15.20	44.8	209.8	13.2	9.73	28.7	174.8	11.0	6.75	19.9	149.8	9.5	4.65	13.7

## BOILER / WATER HEATER TRIM & CONTROLS

<b>Main Gas Valve Body</b>	Dungs MBC 2500	<b>High Limit (Manual Reset)</b>	Jumo
<b>Firing Valve</b>	Honeywell B200T1066 1-1/2"	<b>High Limit (Auto Reset)</b>	Jumo
<b>Main Ball Valve</b>	1-1/2"	<b>Blocked Flue Switch</b>	HUBA
<b>Manual Pilot Valve</b>	1/4" Honeywell B528	<b>Air Switch</b>	HUBA
<b>Pilot Regulator</b>	White-Rodgers 25M	<b>Blower Motor</b>	American Fan 3 HP - FLA 8
<b>Ignition Control</b>	Honeywell RM7895C	<b>Relief Valve - MB</b>	1-1/4" x 1-1/2" set @ 50 psi
<b>Operating Control</b>	HeatNet®	<b>Relief Valve - MW</b>	3/4" x 3/4" set @ 125 psi
		<b>Flow Switch</b>	ITT FS8W

## WATER HEATER HOURLY RECOVERY CAPACITY (GPH & LPH)

40°F	22°C	60°F	33°C	80°F	44°C	100°F	56°C	120°F	67°C	140°F	78°C
7590	28690	5060	19127	3795	14345	3036	11476	2530	9563	2169	8197

## A.S.M.E.

<b>ASME Sect IV Htg Surface</b>	325.0 Sq. Ft. / 30.19 Sq. M.	<b>Design Data</b>	Max. 160 psig & 250°F
<b>Water Volume</b>	12.8 gal / 48.45 Liters		

\* Add circulator amps.

\*\* For incoming gas pressures lower than 3.5" W.C. natural or propane, consult factory.

**REP FIRM** \_\_\_\_\_

**SUBMITTED BY** \_\_\_\_\_

**JOB NAME** \_\_\_\_\_

**ARCHITECT** \_\_\_\_\_

**ENGINEER** \_\_\_\_\_

**CONTRACTOR** \_\_\_\_\_

**DATE** \_\_\_\_\_

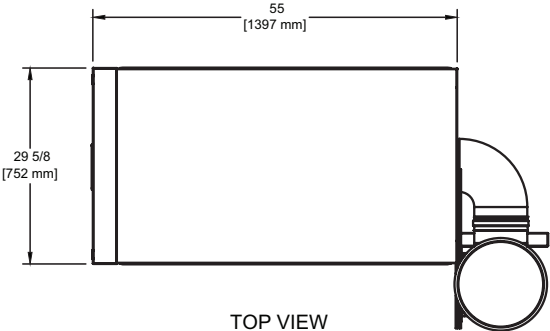
### FUTERA XLF 3000

**Category I, II or IV Appliance**  
(see Installation and Operation Manual for venting information)

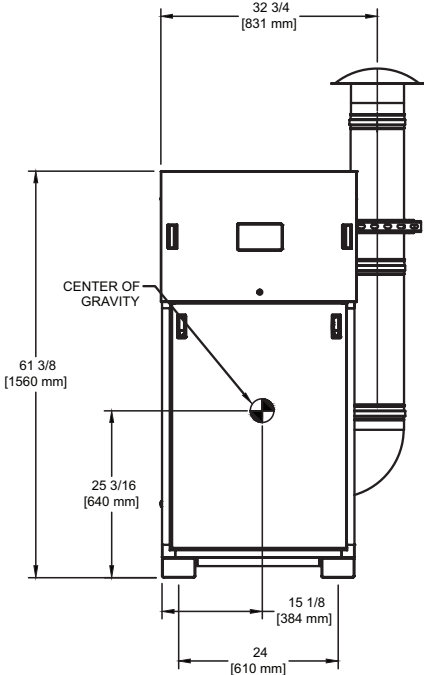
**RBI**® A Division of Mestek, Inc.  
Westfield, MA 01085  
(413) 568-9571

RELIABLE. BOLD. INNOVATIVE.

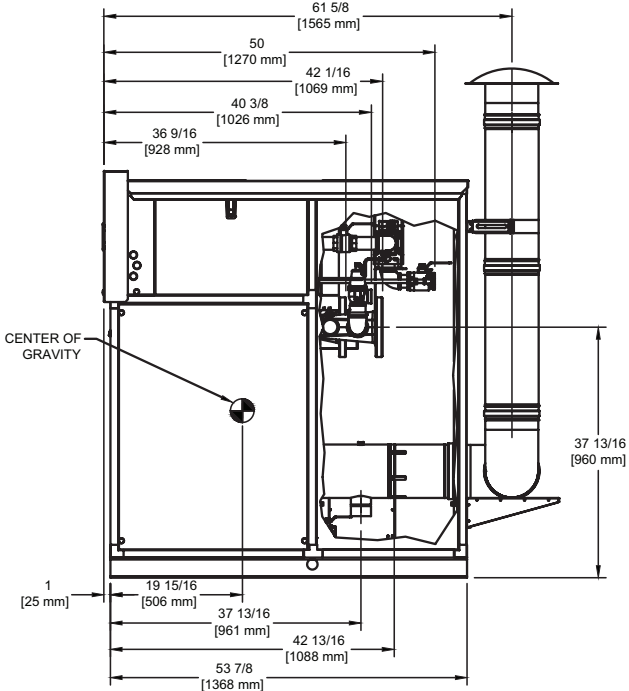
# OUTDOOR UNIT



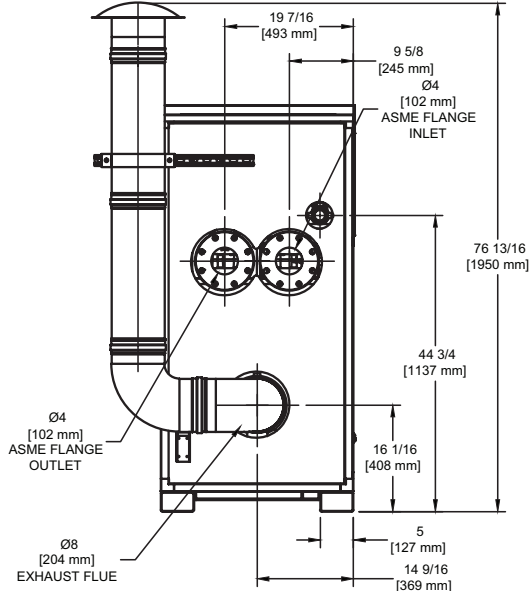
TOP VIEW



FRONT VIEW



SIDE VIEW



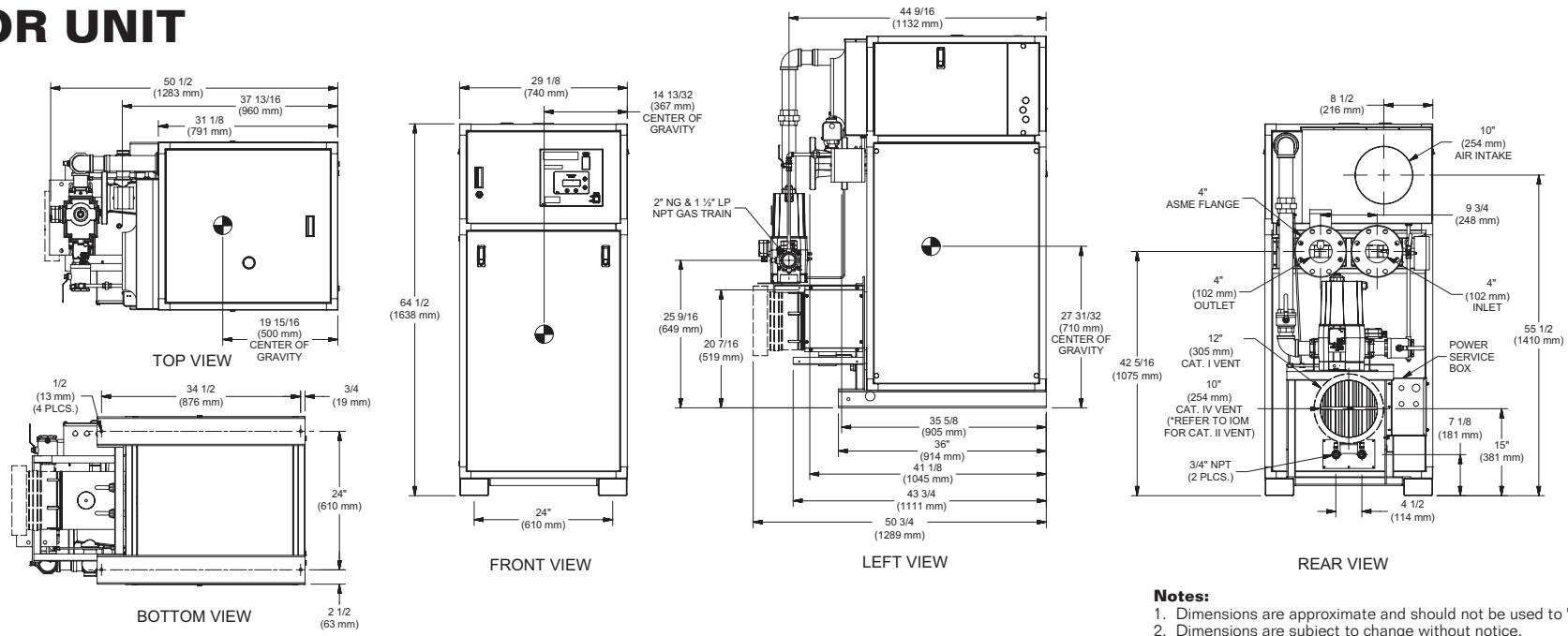
BACK VIEW

# FUTERA XLF 3000

- Notes:**
1. Dimensions are approximate and should not be used to "rough-in" equipment.
  2. Dimensions are subject to change without notice.

# INDOOR UNIT

RSUB-85 REV C



- Notes:**  
 1. Dimensions are approximate and should not be used to "rough-in" equipment.  
 2. Dimensions are subject to change without notice.

## BOILER CERTIFIED RATINGS & CAPACITIES

<b>Fuel Type</b>	Natural/Propane Gas	<b>Boiler FLA</b>	10.5* @ 230V
<b>Input BTU/hr.</b>	3,500,000 / 1,026 kW	<b>Min. Gas Pressure Required</b>	3.5" WC**
<b>Output BTU/hr.</b>	3,052,000 / 894 kW	<b>Max. Gas Pressure Allowed</b>	14" WC
<b>Electrical Requirements</b>	(L1, L2, NEU, GND) 208-240 VAC / 1PH / 60Hz	<b>Operating Weight</b>	1470 lbs. / 667 kgs

## BOILER TEMPERATURE RISE / PRESSURE DROP

20°F / 11.1°C				25°F / 13.9°C				30°F / 16.7°C				35°F / 19.4°C			
Flow Rate		Pressure Drop		Flow Rate		Pressure Drop		Flow Rate		Pressure Drop		Flow Rate		Pressure Drop	
GPM	L/s	Ft	kPa	GPM	L/s	Ft	kPa	GPM	L/s	Ft	kPa	GPM	L/s	Ft	kPa
305.2†	19.3†	20.26	59.7	244.2	15.4	13.40	39.5	203.5	12.8	9.56	28.2	174.4	11.0	7.19	21.2

† Flow exceeds recommended maximum use a greater temperature rise or consult manufacturer.  
 Cupronickel heat exchanger should be considered.

## BOILER / WATER HEATER TRIM & CONTROLS

<b>Main Gas Valve Body</b>	Dungs MBC 4000	<b>High Limit (Manual Reset)</b>	Jumo
<b>Firing Valve</b>	Honeywell B200T1066 2"	<b>High Limit (Auto Reset)</b>	Jumo
<b>Main Ball Valve</b>	2"	<b>Blocked Flue Switch</b>	HUBA
<b>Manual Pilot Valve</b>	1/4" Honeywell B528	<b>Air Switch</b>	HUBA
<b>Pilot Regulator</b>	White-Rodgers 25M	<b>Blower Motor</b>	American Fan 3 HP - FLA 8
<b>Ignition Control</b>	Honeywell RM7895C	<b>Relief Valve - MB</b>	1-1/2" x 2" set @ 50 psi
<b>Operating Control</b>	HeatNet®	<b>Relief Valve - MW</b>	3/4" x 1" set @ 125 psi
		<b>Flow Switch</b>	ITT FS8W

## WATER HEATER HOURLY RECOVERY CAPACITY (GPH & LPH)

40°F	22°C	60°F	33°C	80°F	44°C	100°F	56°C	120°F	67°C	140°F	78°C
8813	33313	5875	22209	4407	16657	3525	13325	2938	11104	2518	9518

## A.S.M.E.

<b>ASME Sect IV Htg Surface</b>	377.0 Sq Ft / 35.02 Sq M	<b>Design Data</b>	Max. 160 psig & 250°F
<b>Water Volume</b>	13.4 gal / 50.72 Liters		

\* Add circulator amps.  
 \*\* For incoming gas pressures lower than 3.5" W.C. natural or propane, consult factory.

**REP FIRM** \_\_\_\_\_  
**SUBMITTED BY** \_\_\_\_\_  
**JOB NAME** \_\_\_\_\_  
**ARCHITECT** \_\_\_\_\_  
**ENGINEER** \_\_\_\_\_  
**CONTRACTOR** \_\_\_\_\_  
**DATE** \_\_\_\_\_

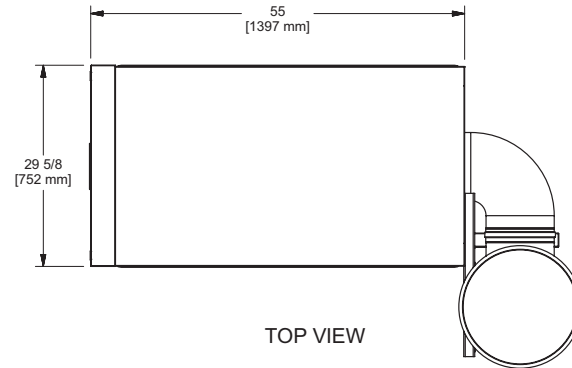
**FUTERA XLF 3500**

**Category I, II or IV Appliance**  
 (see Installation and Operation Manual for venting information)

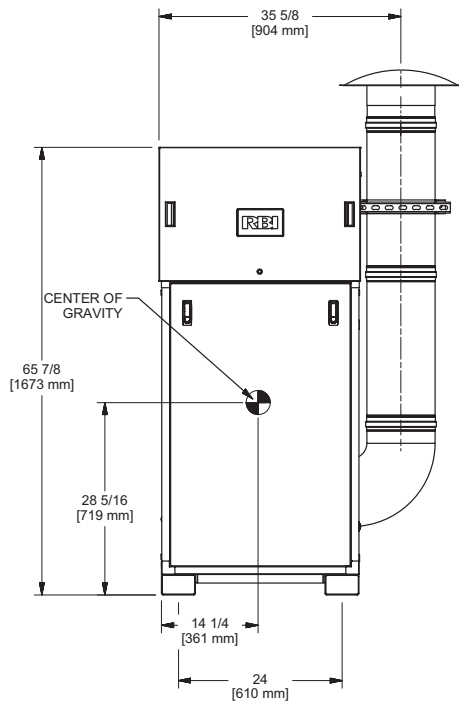
**RBI**® A Division of Mestek, Inc.  
 Westfield, MA 01085  
 (413) 568-9571  
RELIABLE. BOLD. INNOVATIVE.

# OUTDOOR UNIT

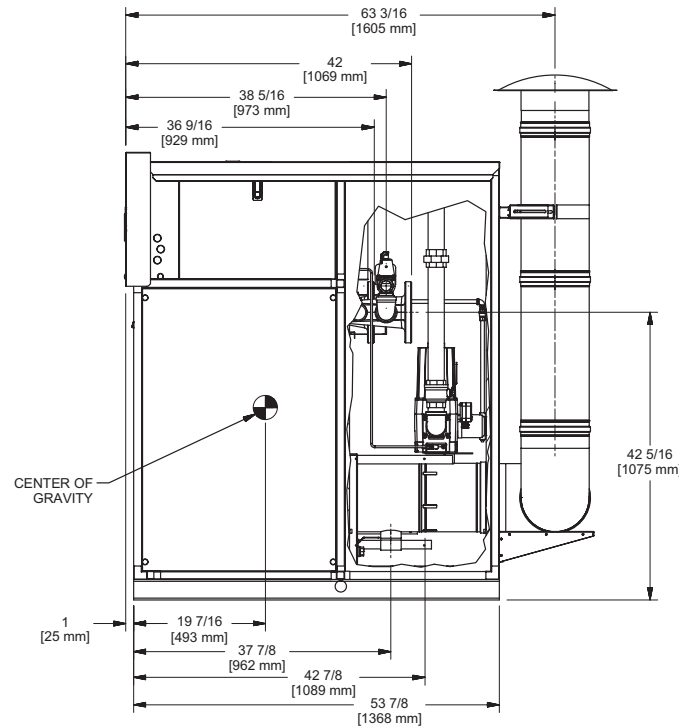
RSUB-138 REV D



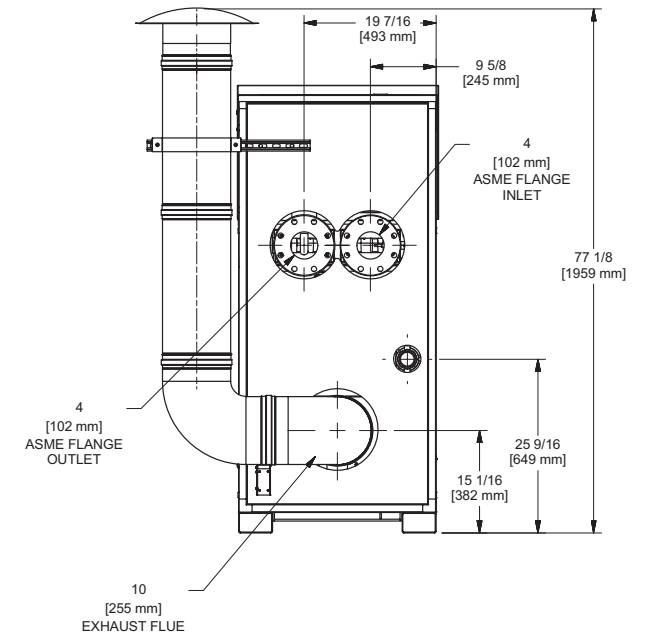
TOP VIEW



FRONT VIEW



SIDE VIEW



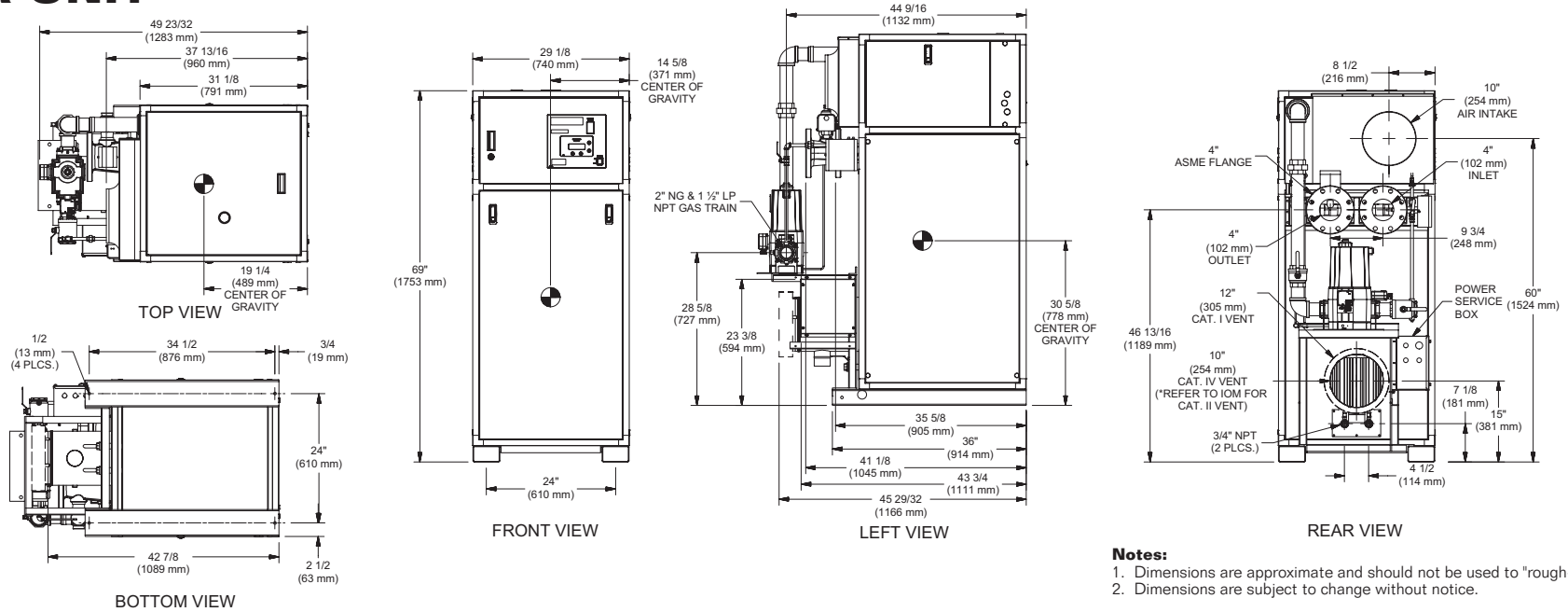
BACK VIEW

**FUTERA XLF 3500**

**Notes:**

1. Dimensions are approximate and should not be used to "rough-in" equipment.
2. Dimensions are subject to change without notice.

# INDOOR UNIT



## BOILER CERTIFIED RATINGS & CAPACITIES

<b>Fuel Type</b>	Natural/Propane Gas	<b>Boiler FLA</b>	10.5* @ 230V
<b>Input BTU/hr.</b>	4,000,000 / 1,172 kW	<b>Min. Gas Pressure Required</b>	3.5" WC**
<b>Output BTU/hr.</b>	3,480,000 / 1,020 kW	<b>Max. Gas Pressure Allowed</b>	14" WC
<b>Electrical Requirements</b>	(L1, L2, NEU, GND) 208-240 VAC / 1PH / 60Hz	<b>Operating Weight</b>	1,535 lbs. / 697 kgs

## BOILER TEMPERATURE RISE / PRESSURE DROP

25°F / 13.9°C				30°F / 16.7°C				35°F / 19.4°C			
Flow Rate		Pressure Drop		Flow Rate		Pressure Drop		Flow Rate		Pressure Drop	
GPM	L/s	Ft	kPa	GPM	L/s	Ft	kPa	GPM	L/s	Ft	kPa
278.4†	17.6†	17.30	51.0	232.0	14.6	12.00	35.4	198.9	12.5	10.48	30.9

† Flow exceeds recommended maximum use a greater temperature rise or consult manufacturer.  
 Cupronickel heat exchanger should be considered.

## BOILER / WATER HEATER TRIM & CONTROLS

<b>Main Gas Valve Body</b>	Dungs MBC 4000	<b>High Limit (Manual Reset)</b>	Jumo
<b>Firing Valve</b>	Honeywell B200T1066 2"	<b>High Limit (Auto Reset)</b>	Jumo
<b>Main Ball Valve</b>	2"	<b>Blocked Flue Switch</b>	HUBA
<b>Manual Pilot Valve</b>	1/4" Honeywell B528	<b>Air Switch</b>	HUBA
<b>Pilot Regulator</b>	White-Rodgers 25M	<b>Blower Motor</b>	American Fan 3 HP - FLA 8
<b>Ignition Control</b>	Honeywell RM7895C	<b>Relief Valve - MB</b>	1-1/2" x 2" set @ 50 psi
<b>Operating Control</b>	HeatNet®	<b>Relief Valve - MW</b>	1" x 1" set @ 125 psi
		<b>Flow Switch</b>	ITT FS8W

## WATER HEATER HOURLY RECOVERY CAPACITY (GPH & LPH)

40°F	22°C	60°F	33°C	80°F	44°C	100°F	56°C	120°F	67°C	140°F	78°C
10168	38435	6779	25624	5084	19218	4067	15374	3389	12812	2905	10982

## A.S.M.E.

<b>ASME Sect IV Htg Surface</b>	435.0 Sq Ft / 40.41 Sq M	<b>Design Data</b>	Max. 160 psig & 250°F
<b>Water Volume</b>	14.0 gal / 53.00 Liters		

\* Add circulator amps.

\*\* For incoming gas pressures lower than 3.5" W.C. natural or propane, consult factory.

**REP FIRM** \_\_\_\_\_

**SUBMITTED BY** \_\_\_\_\_

**JOB NAME** \_\_\_\_\_

**ARCHITECT** \_\_\_\_\_

**ENGINEER** \_\_\_\_\_

**CONTRACTOR** \_\_\_\_\_

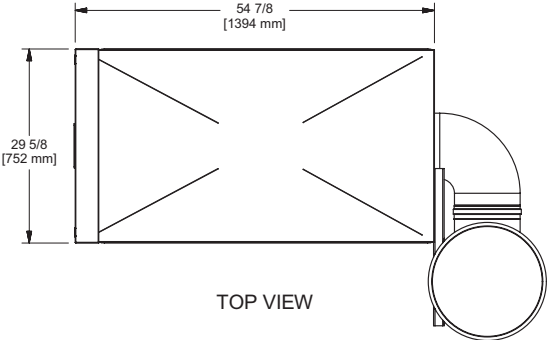
**DATE** \_\_\_\_\_

### FUTERA XLF 4000

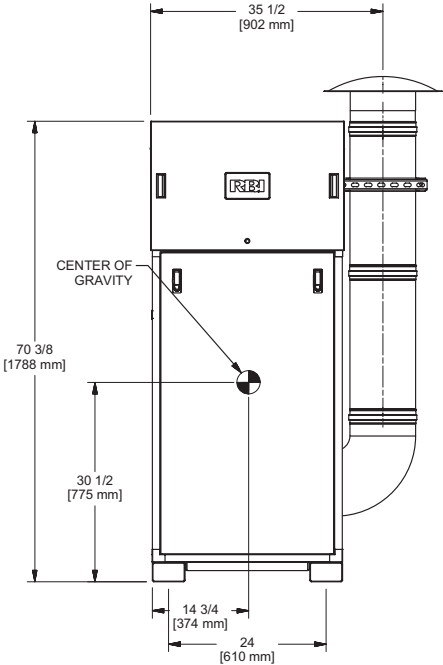
**Category I, II or IV Appliance**  
 (see Installation and Operation Manual for venting information)

**RBI**® A Division of Mestek, Inc.  
 Westfield, MA 01085  
 (413) 568-9571

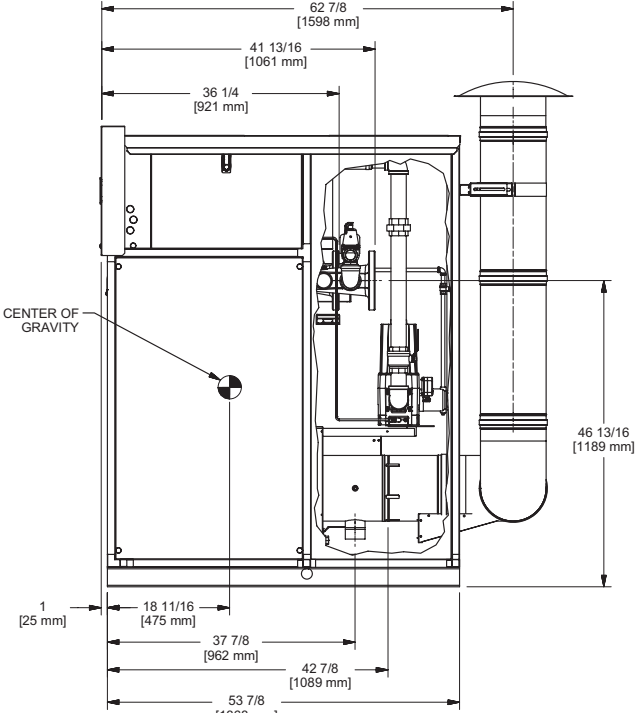
# OUTDOOR UNIT



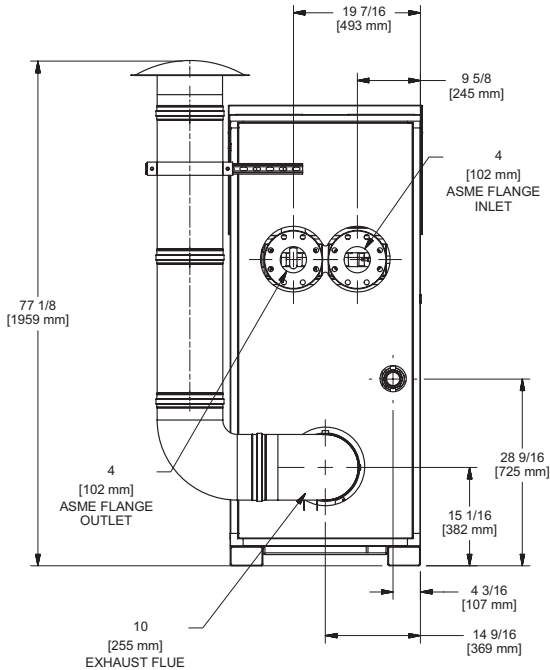
TOP VIEW



FRONT VIEW



SIDE VIEW



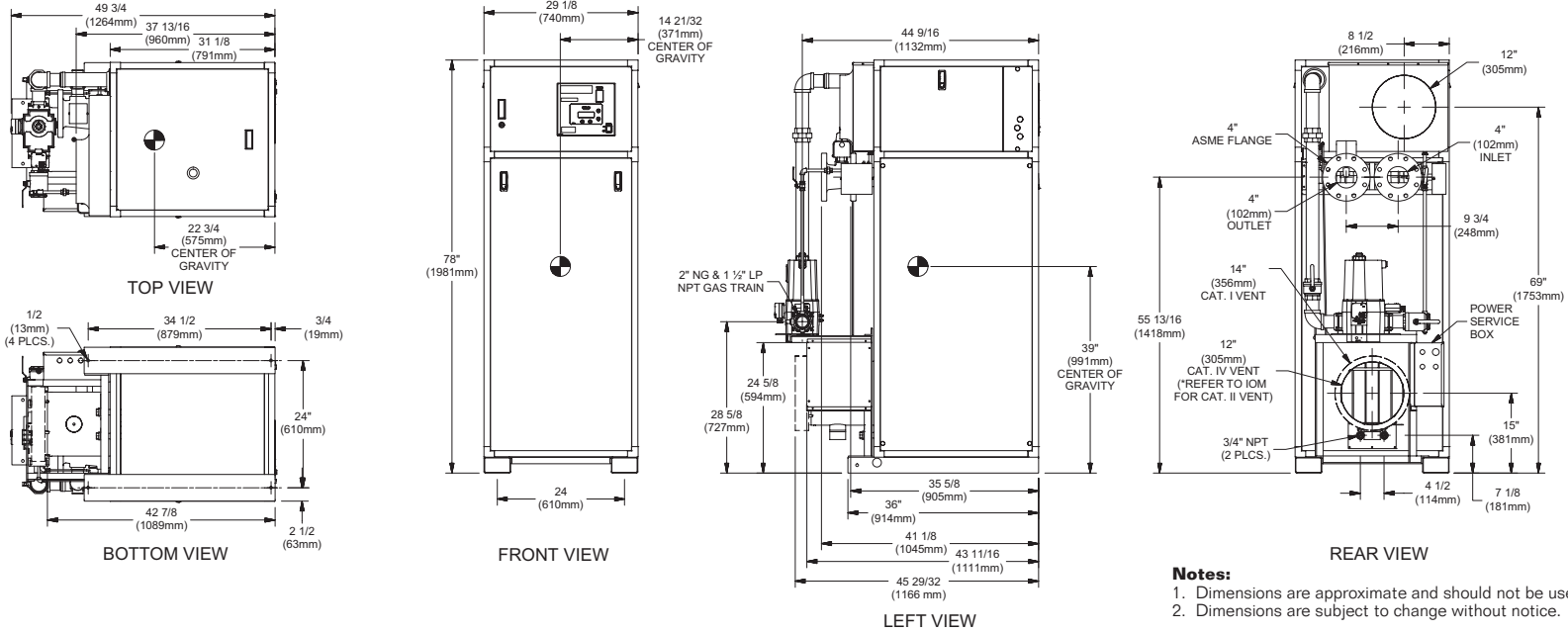
BACK VIEW

# FUTERA XLF 4000

- Notes:**
1. Dimensions are approximate and should not be used to "rough-in" equipment.
  2. Dimensions are subject to change without notice.



# INDOOR UNIT



## BOILER CERTIFIED RATINGS & CAPACITIES

<b>Fuel Type</b>	Natural/Propane Gas	<b>Boiler FLA</b>	9.5* @ 230V
<b>Input BTU/hr.</b>	5,000,000 / 1,465 kW	<b>Min. Gas Pressure Required</b>	3.5" WC**
<b>Output BTU/hr.</b>	4,255,000 / 1,247 kW	<b>Max. Gas Pressure Allowed</b>	14" WC
<b>Electrical Requirements</b>	(L1, L2, L3, GND) 230 VAC / 3 ph / 60 hz	<b>Operating Weight</b>	1,684 lbs. / 765 kgs

## BOILER TEMPERATURE RISE / PRESSURE DROP†

30°F / 16.7°C				35°F / 19.4°C			
Flow Rate		Pressure Drop		Flow Rate		Pressure Drop	
GPM	L/s	Ft	kPa	GPM	L/s	Ft	kPa
283.7	17.9	21.20	62.5	243.1	15.3	19.70	58.0

† Cupronickel heat exchanger standard.

## BOILER / WATER HEATER TRIM & CONTROLS

<b>Main Gas Valve Body</b>	Dungs MBC 4000	<b>High Limit (Manual Reset)</b>	Jumo
<b>Firing Valve</b>	Honeywell B200T1066 2"	<b>High Limit (Auto Reset)</b>	Jumo
<b>Main Ball Valve</b>	2"	<b>Blocked Flue Switch</b>	HUBA
<b>Manual Pilot Valve</b>	1/4" Honeywell B528	<b>Air Switch</b>	HUBA
<b>Pilot Regulator</b>	White-Rodgers 25M	<b>Blower Motor</b>	American Fan 5 HP - FLA 9
<b>Ignition Control</b>	Honeywell RM7895C	<b>Relief Valve - MB</b>	1-1/2" x 2" set @ 50 psi
<b>Operating Control</b>	HeatNet®	<b>Relief Valve - MW</b>	1" x 1" set @ 125 psi
		<b>Flow Switch</b>	ITT FS8W

## WATER HEATER HOURLY RECOVERY PENDING

### A.S.M.E.

<b>ASME Sect IV Htg Surface</b>	544.3 Sq Ft / 50.56 Sq M	<b>Design Data</b>	Max. 160 psig & 250°F
<b>Water Volume</b>	15.6 gal / 59.12 Liters		

\* Add circulator amps.

\*\* For incoming gas pressures lower than 3.5" W.C. natural or propane, consult factory.

**REP FIRM** \_\_\_\_\_  
**SUBMITTED BY** \_\_\_\_\_  
**JOB NAME** \_\_\_\_\_  
**ARCHITECT** \_\_\_\_\_  
**ENGINEER** \_\_\_\_\_  
**CONTRACTOR** \_\_\_\_\_  
**DATE** \_\_\_\_\_

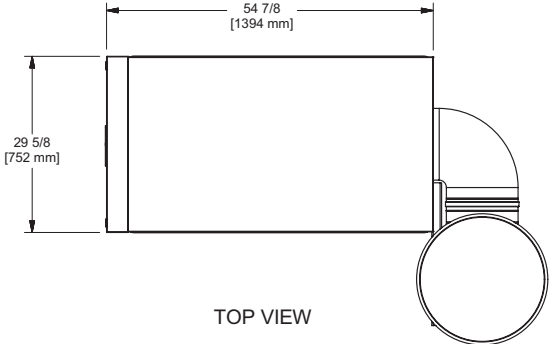
## FUTERA XLF 5000

**Category I, II or IV Appliance**  
 (see Installation and Operation Manual for venting information)

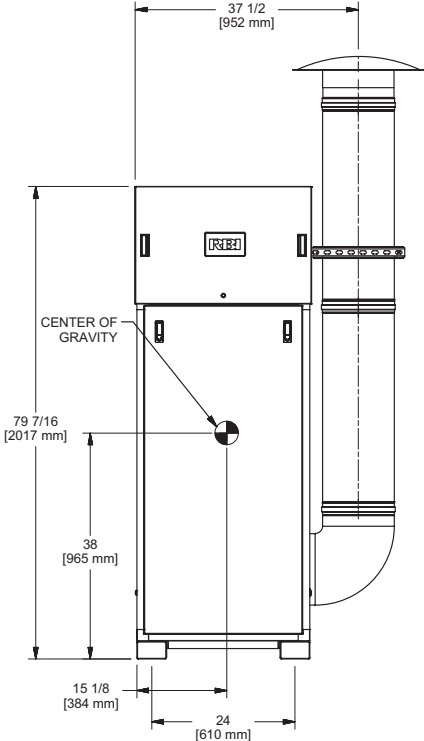


A Division of Mestek, Inc.  
 Westfield, MA 01085  
 (413) 568-9571

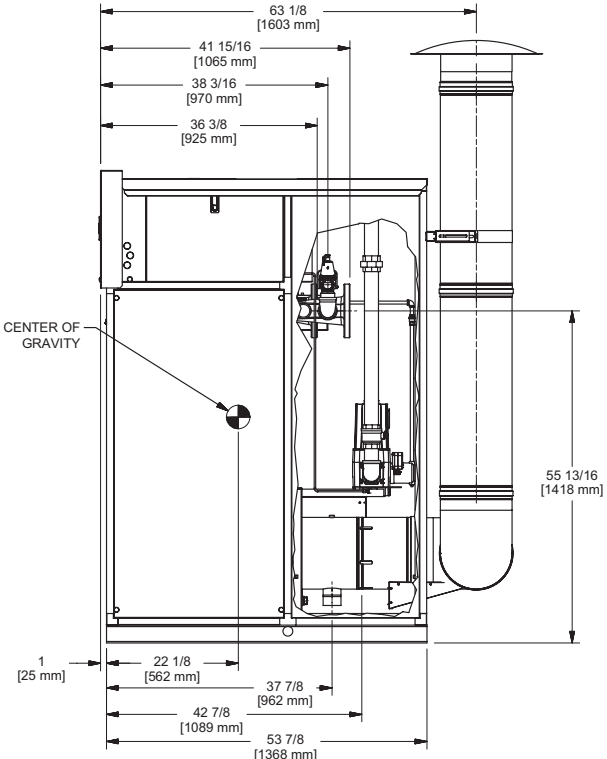
# OUTDOOR UNIT



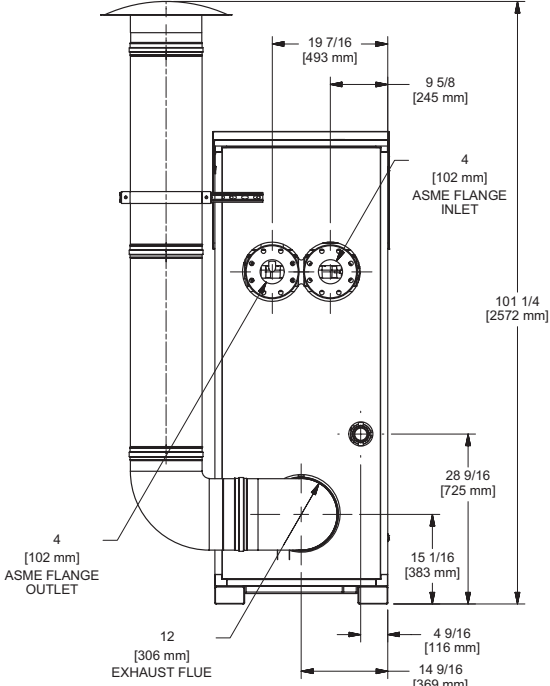
TOP VIEW



FRONT VIEW



SIDE VIEW

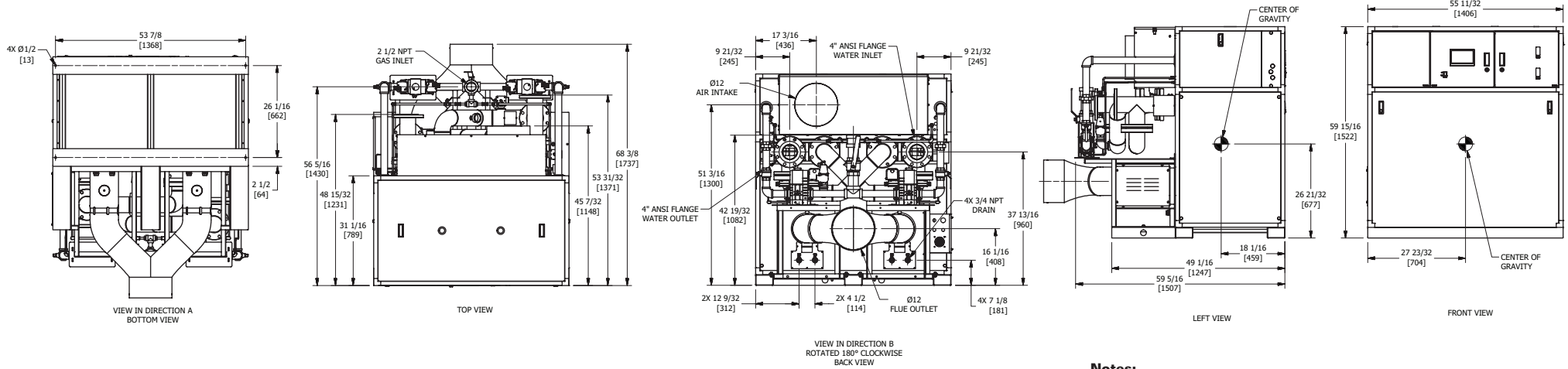


BACK VIEW

# FUTERA XLF 5000

**Notes:**  
1. Dimensions are approximate and should not be used to "rough-in" equipment.  
2. Dimensions are subject to change without notice.

# INDOOR UNIT



- Notes:**
1. Dimensions are approximate and should not be used to "rough-in" equipment.
  2. Dimensions are subject to change without notice.
  3. All dimensions are in inches (mm).

## BOILER CERTIFIED RATINGS & CAPACITIES

<b>Fuel Type</b>	Natural/Propane Gas	<b>Boiler FLA</b>	16.9* @ 230V
<b>Input BTU/hr.</b>	6,000,000 / 1758 kW	<b>Min. Gas Pressure Required</b>	3.5" WC**
<b>Output BTU/hr.</b>	5,244,000 / 1537 kW	<b>Max. Gas Pressure Allowed</b>	14" WC
<b>Electrical Requirements</b>	(L1, L2, L3, GND) 230 VAC / 3PH / 60Hz	<b>Operating Weight</b>	2958 lbs / 1342 kgs

## BOILER TEMPERATURE RISE / PRESSURE DROP

20°F / 11.1°C				25°F / 13.9°C				30°F / 16.7°C				35°F / 19.4°C			
Flow Rate		Pressure Drop		Flow Rate		Pressure Drop		Flow Rate		Pressure Drop		Flow Rate		Pressure Drop	
GPM	L/s	Ft	kPa	GPM	L/s	Ft	kPa	GPM	L/s	Ft	kPa	GPM	L/s	Ft	kPa
524.6	33.1	13.2	39.6	419.7	26.5	8.5	25.3	349.7	22.1	5.9	17.6	299.8	18.9	4.3	12.9

## BOILER / WATER HEATER TRIM & CONTROLS

<b>Main Gas Valve Body (2)</b>	Dungs MBC 2500	<b>High Limit (Manual Reset)</b>	Jumo
<b>Firing Valve (2)</b>	Honeywell B200T1066 1-1/2"	<b>High Limit (Auto Reset)</b>	Jumo
<b>Main Ball Valve</b>	2-1/2"	<b>Blocked Flue Switch</b>	HUBA
<b>Manual Pilot Valve</b>	1/4" Honeywell B528	<b>Air Switch</b>	HUBA
<b>Pilot Regulator</b>	White-Rodgers 25m	<b>Blower Motor (2)</b>	American Fan 3 HP - FLA 8
<b>Ignition Control (2)</b>	Honeywell RM7895C	<b>Relief Valve - MB (2)</b>	1-1/4" x 1-1/2" set @ 50 psi
<b>Operating Control</b>	HeatNet®	<b>Flow Switch (2)</b>	ITT FS8W

## A.S.M.E.

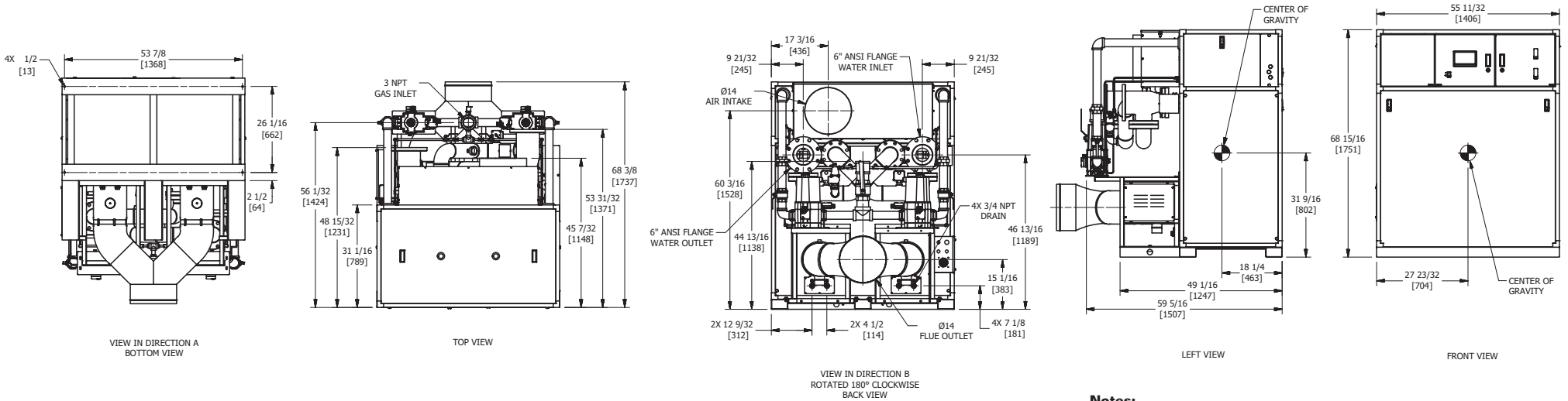
<b>ASME Sect IV Htg Surface</b>	650.0 Sq. Ft. / 60.38 Sq. M.	<b>Design Data</b>	Max. 160 psig & 250°F
<b>Water Volume</b>	25.6 gal / 96.9 Liters		

\* Add circulator amps.  
 \*\* For incoming gas pressures lower than 3.5" W.C. natural or propane, consult factory.

<b>REP FIRM</b>	_____	<h1 style="margin: 0;">FUTERA XLF 6000</h1> <p style="margin: 0;"><b>Category I, II or IV Appliance</b></p> <p style="margin: 0;">(see Installation and Operation Manual for venting information)</p> <div style="display: flex; align-items: center; justify-content: center;"> <div> <p>A Division of Mestek, Inc.                  Westfield, MA 01085                  (413) 568-9571</p> </div> </div>
<b>SUBMITTED BY</b>	_____	
<b>JOB NAME</b>	_____	
<b>ARCHITECT</b>	_____	
<b>ENGINEER</b>	_____	
<b>CONTRACTOR</b>	_____	
<b>DATE</b>	_____	

# INDOOR UNIT

RSUB-160.A



- Notes:**
1. Dimensions are approximate and should not be used to "rough-in" equipment.
  2. Dimensions are subject to change without notice.
  3. All dimensions are in inches (mm).

## BOILER CERTIFIED RATINGS & CAPACITIES

<b>Fuel Type</b>	Natural/Propane Gas	<b>Boiler FLA</b>	16.9* @ 230V
<b>Input BTU/hr.</b>	8,000,000 / 2345 kW	<b>Min. Gas Pressure Required</b>	3.5" WC**
<b>Output BTU/hr.</b>	6,824,000 / 2000 kW	<b>Max. Gas Pressure Allowed</b>	14" WC
<b>Electrical Requirements</b>	(L1, L2, L3, GND) 230 VAC / 3PH / 60Hz	<b>Operating Weight</b>	3388 lbs / 1537 kgs

## BOILER TEMPERATURE RISE / PRESSURE DROP

25°F / 13.9°C				30°F / 16.7°C				35°F / 19.4°C			
Flow Rate		Pressure Drop		Flow Rate		Pressure Drop		Flow Rate		Pressure Drop	
GPM	L/s	Ft	kPa	GPM	L/s	Ft	kPa	GPM	L/s	Ft	kPa
546.1†	34.5†	28.6	85.6	455.1	28.7	19.9	59.5	390.1	24.6	14.6	43.7

† Flow exceeds recommended maximum use a greater temperature rise or consult manufacturer. Cupronickel heat exchanger should be considered.

## BOILER / WATER HEATER TRIM & CONTROLS

<b>Main Gas Valve Body (2)</b>	Dungs MBC 4000	<b>High Limit (Manual Reset)</b>	Jumo
<b>Firing Valve (2)</b>	Honeywell B200T1066 2"	<b>High Limit (Auto Reset)</b>	Jumo
<b>Main Ball Valve</b>	3"	<b>Blocked Flue Switch</b>	HUBA
<b>Manual Pilot Valve</b>	1/4" Honeywell B528	<b>Air Switch</b>	HUBA
<b>Pilot Regulator</b>	White-Rodgers 25m	<b>Blower Motor (2)</b>	American Fan 3 HP - FLA 8
<b>Ignition Control (2)</b>	Honeywell RM7895C	<b>Relief Valve - MB (2)</b>	1-1/2" x 2" set @ 50 psi
<b>Operating Control</b>	HeatNet®	<b>Flow Switch (2)</b>	ITT FS8W

## A.S.M.E.

<b>ASME Sect IV Htg Surface</b>	870.0 Sq Ft / 80.82 Sq M	<b>Design Data</b>	Max. 160 psig & 250°F
<b>Water Volume</b>	28.0 gal / 106.00 Liters		

\* Add circulator amps.  
\*\* For incoming gas pressures lower than 3.5" W.C. natural or propane, consult factory.

**REP FIRM** \_\_\_\_\_  
**SUBMITTED BY** \_\_\_\_\_  
**JOB NAME** \_\_\_\_\_  
**ARCHITECT** \_\_\_\_\_  
**ENGINEER** \_\_\_\_\_  
**CONTRACTOR** \_\_\_\_\_  
**DATE** \_\_\_\_\_

## FUTERA XLF 8000

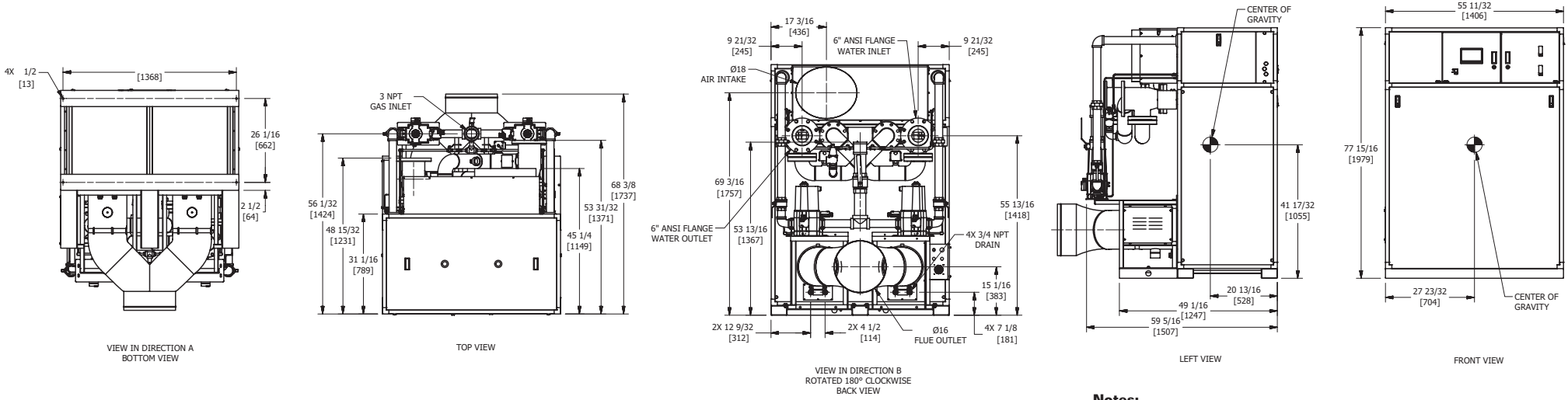
**Category I, II or IV Appliance**  
(see Installation and Operation Manual for venting information)



A Division of Mestek, Inc.  
Westfield, MA 01085  
(413) 568-9571

# INDOOR UNIT

RSUB-162.A



- Notes:**
1. Dimensions are approximate and should not be used to "rough-in" equipment.
  2. Dimensions are subject to change without notice.
  3. All dimensions are in inches (mm).

## BOILER CERTIFIED RATINGS & CAPACITIES

<b>Fuel Type</b>	Natural/Propane Gas	<b>Boiler FLA</b>	26.9" @ 230V
<b>Input BTU/hr.</b>	10,000,000 / 2931 kW	<b>Min. Gas Pressure Required</b>	3.5" WC**
<b>Output BTU/hr.</b>	8,510,000 / 2494 kW	<b>Max. Gas Pressure Allowed</b>	14" WC
<b>Electrical Requirements</b>	(L1, L2, L3, GND) 230 VAC / 3PH / 60Hz	<b>Operating Weight</b>	3641 lbs / 1652 kgs

## BOILER TEMPERATURE RISE / PRESSURE DROP†

30°F / 16.7°C				35°F / 19.4°C			
Flow Rate		Pressure Drop		Flow Rate		Pressure Drop	
GPM	L/s	Ft	kPa	GPM	L/s	Ft	kPa
567.6	35.8	33.0	98.7	486.5	30.7	24.3	72.5

† Cupronickel heat exchanger standard.

## BOILER / WATER HEATER TRIM & CONTROLS

<b>Main Gas Valve Body (2)</b>	Dungs MBC 4000	<b>High Limit (Manual Reset)</b>	Jumo
<b>Firing Valve (2)</b>	Honeywell B200T1066 2"	<b>High Limit (Auto Reset)</b>	Jumo
<b>Main Ball Valve</b>	3"	<b>Blocked Flue Switch</b>	HUBA
<b>Manual Pilot Valve</b>	1/4" Honeywell B528	<b>Air Switch</b>	HUBA
<b>Pilot Regulator</b>	White-Rodgers 25m	<b>Blower Motor (2)</b>	American Fan 5 HP - FLA 9
<b>Ignition Control (2)</b>	Honeywell RM7895C	<b>Relief Valve - MB (2)</b>	1-1/2" x 2" set @ 50 psi
<b>Operating Control</b>	HeatNet®	<b>Flow Switch (2)</b>	ITT FS8W

## A.S.M.E.

<b>ASME Sect IV Htg Surface</b>	1088.6 Sq Ft / 101.1 Sq M	<b>Design Data</b>	Max. 160 psig & 250°F
<b>Water Volume</b>	31.2 gal / 118.24 Liters		

\* Add circulator amps.

\*\* For incoming gas pressures lower than 3.5" W.C. natural or propane, consult factory.

**REP FIRM** \_\_\_\_\_  
**SUBMITTED BY** \_\_\_\_\_  
**JOB NAME** \_\_\_\_\_  
**ARCHITECT** \_\_\_\_\_  
**ENGINEER** \_\_\_\_\_  
**CONTRACTOR** \_\_\_\_\_  
**DATE** \_\_\_\_\_

## FUTERA XLF 10000

**Category I, II or IV Appliance**  
(see Installation and Operation Manual for venting information)



A Division of Mestek, Inc.  
Westfield, MA 01085  
(413) 568-9571